

FEATURE

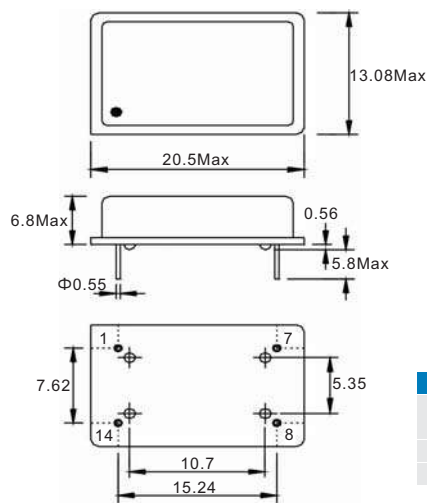
- All metal welded package
- Broad frequency range from 0.100KHz to 1000KHz
- Built-in C-MOS IC with tri-state function
- 5V and 3.3V supply model available



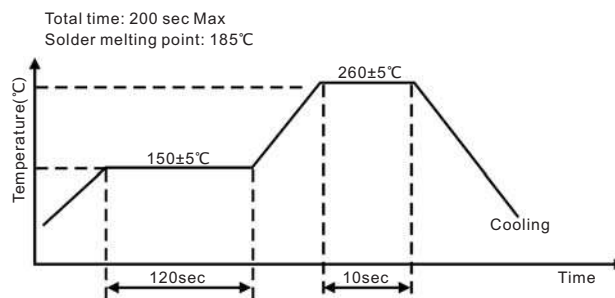
ELECTRICAL SPECIFICATIONS

Model Type		OSCF(Full Size)		OSCH(Half Size)	
Frequency Range		0.100KHz ~ 1000KHz			
Overall Frequency Stability		±25ppm ~ ± 100ppm (Inclusive of Operating Temp, Supply Voltage & Load)			
Operating Temperature		-10°C ~ +60°C to -40°C ~ +85°C			
Storage Temperature		-40°C ~ +85°C / -55°C ~ +125°C			
Supply Voltage		5.0V	3.3V	5.0V	3.3V
Input Current Max	0.100~1KHz	1mA	0.5mA	1mA	0.8mA
	1.000~50.000KHz	2mA	1mA	2mA	1mA
	50.000~1000KHz	10mA	8mA	10mA	8mA
Output Voltage	Logic High	4.5VDCMin	2.7VDCMin	4.5VDCMin	2.7VDCMin
	Logic low	0.5VDCMax	0.4VDCMax	0.5VDCMax	0.4VDCMax
Symmetry (Duty Cycle)		40/60% Std. / 45/55% Available			
Rise/Fall Time		10ns Max <5ns Typical			
Start Time		10ms Max <5ms Typical			
Aging @25°C 1 st year (Max)		±3ppm, ±5ppm/year			
Output Load		10TTL or 15pF HCMOS			
Tri state Function (Pin 1 has internal pull-up resistor allowing it to be left floating high.)		V _{IH} : 2.2V or Open Enables Output			
		V _{IL} : 0.8V or Disables Output			
Output Enable/ Disable Time		100ns Max			

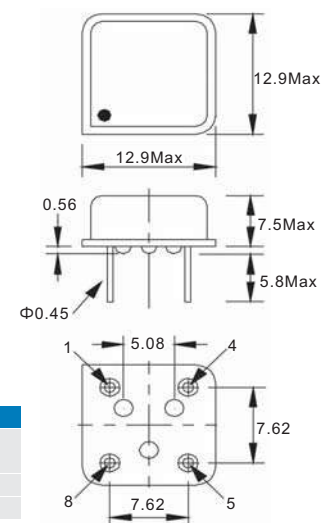
DIMENSIONS AND REFLOW CONDITION



Full Size



PIN	Connection
#1	N.C./Control
#7	GND
#8	Output
#14	V _{DD}



Half Size